

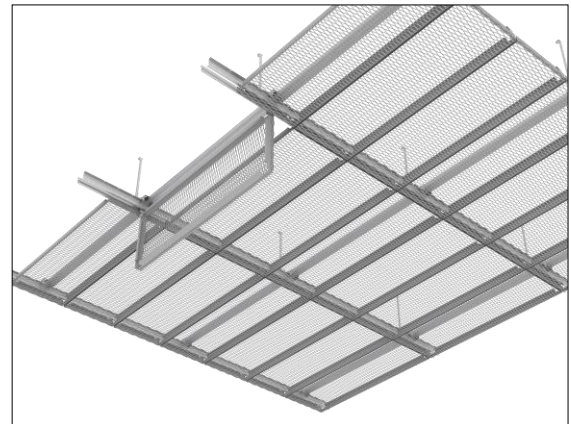


## LMD-St 214

### Hook-On expanded metal ceiling with open joints

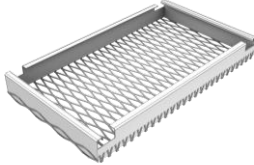
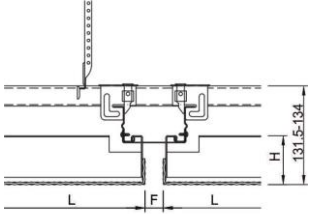

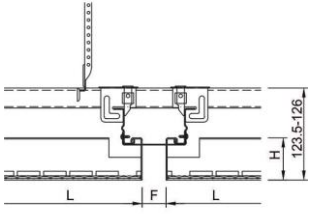

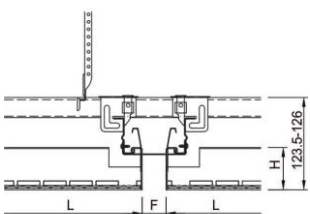
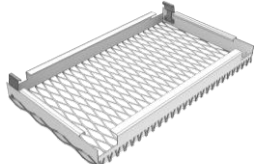
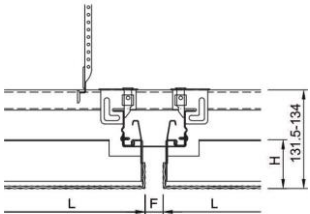
The expanded metal ceiling with open joints offers many design options: the versatile system can be realised with joint widths exceeding 10 mm and a multitude of expanded metal meshes that offer the possibility to see – to a greater or lesser extent – into the ceiling void. An high open area enables the installation of illumination or further fixtures in the ceiling void. Hook-On expanded metal ceiling panels can be combined with Swing-Down ceiling panels.

- homogeneous ceiling surface due to concealed substructure
- many design possibilities thanks to different mesh types, shapes and sizes
- the possibility to see - to a greater or lesser extent - into the ceiling void depends on the mesh or the requirement
- installation of illumination or further fixtures in the ceiling void is possible in case of a high open area
- ceiling layout with open joints
- easy maintenance option due to ceiling panels that can be individually operated, swung down and slid without tools





## Ceiling elements

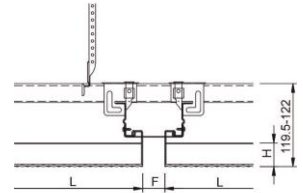
<b>LMD-St 214 Type 3</b>			
<b>Hook-On, expanded metal turned up</b>			
Length (L)	250 - 3,000 mm		
Width (B)	200 - 1,250 mm		
Height (H)	63.5 - 66 mm		
Joint width (F)	10 - 100 mm		
<b>LMD-St 214 Type 4</b>			
<b>Hook-On, expanded metal bordered</b>			
Length (L)	250 - 3,000 mm		
Width (B)	200 - 1,250 mm		
Height (H)	55.5 - 58 mm		
Joint width (F)	10 - 100 mm		
<b>LMD-St 214 Type 5</b>			
<b>Hook-On/Swing-Down, expanded metal bordered</b>			
Length (L)	250 - 3,000 mm		
Width (B)	200 - 1,250 mm		
Height (H)	55.5 - 58 mm		
Joint width (F)	10 - 100 mm		
<b>LMD-St 214 Type 6</b>			
<b>Hook-On/Swing-Down, expanded metal turned up</b>			
Length (L)	250 - 3,000 mm		
Width (B)	200 - 1,250 mm		
Height (H)	63.5 - 66 mm		
Joint width (F)	10 - 100 mm		



## LMD-St 214 Type 8

### Hook-On, expanded metal placed on frame

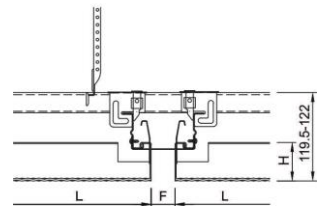
Length (L)	250 - 2,000 mm
Width (B)	200 - 625 mm
Height (H)	33.5 - 36 mm
Joint width (F)	10 - 100 mm



## LMD-St 214 Type 9

### Hook-On/Swing-Down, expanded metal placed on frame

Length (L)	250 - 2,000 mm
Width (B)	200 - 625 mm
Height (H)	51.5 - 54 mm
Joint width (F)	10 - 100 mm

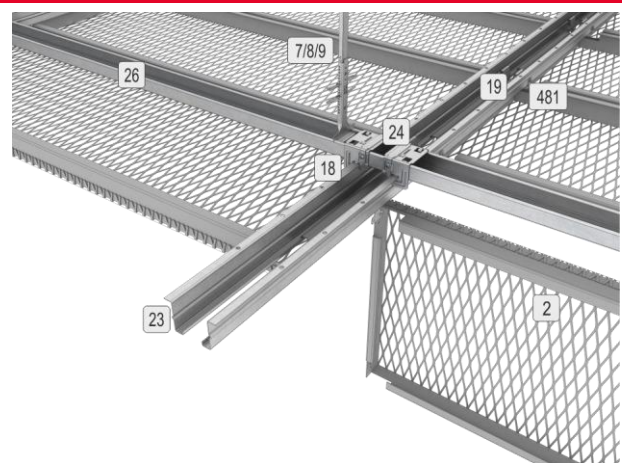


## Technical data

Material	galvanised sheet steel
Weight	approx. 16 - 18 kg/m <sup>2</sup> (without fixtures/installations)
Serviceability	swing-down and slide option without tools or removable
Wall connection options	L-angle, shadow gap trim, open wall connection

## Component list

2	expanded metal ceiling panel
7/8/9	vernier suspension
18	self-tapping screw trapezoidal head
19	self-drilling screw fillister head
23	Z-hook-on profile 48
24	cross connector for suspension channel 60 to Z-hook-on profile 48
26	suspension channel 60
481	spacer for Z-hook-on profile 48





## Acoustics

### Room acoustics

Rated sound absorption coefficient	DIN EN ISO 11654	$\alpha_w$	0.15 - 1.00
Sound absorber class	DIN EN ISO 11654		E - A
Noise Reduction Coefficient	ASTM C 423	NRC	0.15 - 0.90

## Fire protection

### Building material class

Building material class	DIN EN 13501-1	A2 - s1,d0
Building material class	ASTM E 84	Class A

## Durability

Exposure class	DIN EN 13964	A
----------------	--------------	---

## Sustainability

Product self-declaration	Self-declaration according to ISO 14021
Environmental product declaration	EPD according to EN 15804 / ISO 14025
Circular Economy	Cradle to Cradle Certified® Gold
French VOC Regulation	Emission class A+

## Certification

CE marking	The ceiling system is a harmonised construction product acc. to regulation (EU) No. 305/2011 (Construction Products Regulation) and EN 13964: Suspended ceilings - Requirements and test methods.
TAIM e.V.	The ceiling system fulfils the requirements of the "Technical Manual Metal Ceilings" (TMMC) of TAIM e.V. (Association of Industrial Metal Ceiling Manufacturers).

## Surfaces

Powder coatings	<u>COLOURline - Powder coating</u> <u>MOODline - Powder coating deep matt</u>
Expanded metal	<u>MESHdesign - Standard expanded metal</u> <u>MESHdesign Viva - 3D expanded metal</u>
Functional coatings	<u>Meteo - Corrosion protection coating</u>

## Additional equipment

Acoustic inlays	<u>Acustica - Acoustic fabric inlay</u> <u>Calma - Glass yarn inlay in textile cover</u>
Luminaires	<u>LK 73 - Light channel</u>
Inspection hatches	<u>LMD-RK 20 - Inspection hatch expanded metal</u>
Absorbers	<u>LMD-Absorber - Type 1   Type 5</u>



## Application examples

---



© 2012 Ryan Gobuty / Gensler

## Project solutions

---

This product data sheet refers to the standard version of the product mentioned above. We would be happy to work with you to find the right solution for your project. Adapted to your building project, you will receive a perfectly matched system. Project-specific constructions and adaptations can be found in the offer documents.