

Flat and frameless integrated luminaire, equipped with LED technology.

The luminaire is integrated into the Lindner metal ceiling panel (in the factory). Housing Colour is adjusted to ceiling.

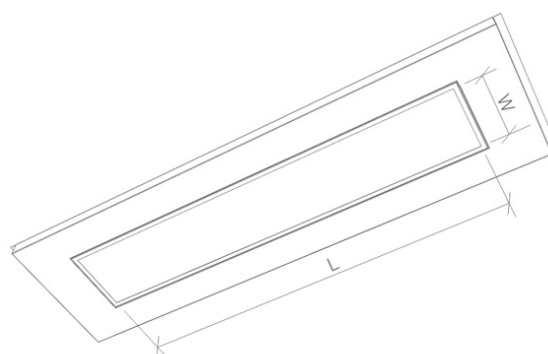
Light is distributed via a microprismatic cover, suitable for monitor workstations (UGR < 19).

| Type | Lumen Output | System Power | Dimension (l x w x h) |
|--------------|--------------|--------------|-----------------------|
| IS 22 - 600 | 1.980 Lumen | 17 Watt | 600 x 160 x 60 mm |
| IS 22 - 900 | 2.650 Lumen | 23 Watt | 900 x 160 x 60 mm |
| IS 22 - 1200 | 3.090 Lumen | 27 Watt | 1.200 x 160 x 60 mm |
| IS 22 - 1500 | 3.530 Lumen | 30 Watt | 1.500 x 160 x 60 mm |

Technical Information:

| | |
|-------------------|----------------------|
| Voltage: | 220-240 V / 50-60 Hz |
| Protection Class: | 1 |
| Protection Type: | IP20 |
| Ballast: | switchable |
| Cover: | microprismatic |
| Colour: | suitable to ceiling |
| Light Colour: | 4.000K |
| CRI: | RA>80 |

Dimension Drawing:



Options:

Light Colour 3.000K
 Ballast DALI dimmable
 inclusive preassembled connection cable, plug and connector