

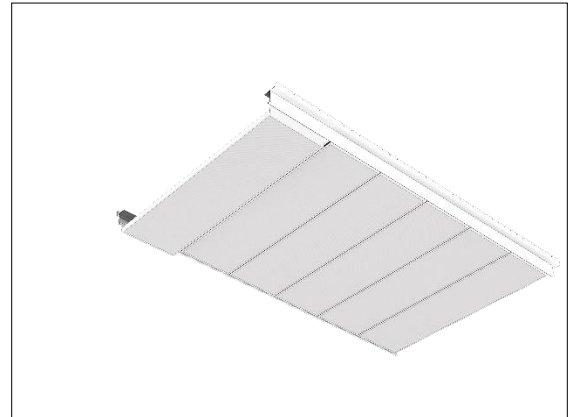


LMD-E 340

Drop-Slide corridor ceiling


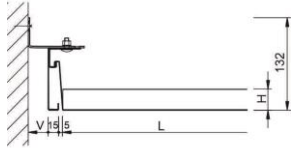
This Drop-Slide corridor ceiling is a freely spanned ceiling construction with filigree Hook-On profile. Thanks to an adjustable wall connection, you can easily compensate tolerances on the wall. The special feature of this system: ceiling panels can be lowered without tools, in the Drop-Slide profile and slid horizontally beneath other panels. The great advantage: it is not necessary to remove or swing-down ceiling panels for maintenance works – temporarily stored or hanging ceiling panels in opened condition do not affect the building traffic.

- freely spanned construction
- compensation of tolerances on the wall is possible due to an adjustable wall connection
- easy and tool-free maintenance option due to ceiling panels that can be individually operated, lowered and slid
- no disturbing, hanging ceiling panels in opened condition of the ceiling
- hygienic and easy to clean






Ceiling elements

LMD-E 340 Type 1		 
Drop-Slide		
Length (L)	250 - 3,000 mm	
Width (B)	200 - 800 mm	
Height (H)	30, 40, 50 mm	
Adjustment range (V)	10 - 55 mm	

Technical data

Material	galvanised sheet steel
Weight	approx. 8 - 10 kg/m ² (without fixtures/installations)
Serviceability	drop-slide option without tools or removable
Wall connection options	L-angle, drop-slide profile

Component list

1	ceiling panel	
14/15/65	screwing	
150	L-wall profile 43x65	
1088	drop-slide hook-on profile 89/15S	

Acoustic

Room acoustics

Rated sound absorption coefficient	DIN EN ISO 11654	α_w	0.15 - 1.00
Sound absorber class	DIN EN ISO 11654		E - A
Noise Reduction Coefficient	ASTM C 423	NRC	0.15 - 0.95



Fire protection

Building material class

Building material class (COLOURline A1)	DIN EN 13501-1	A1
Building material class (COLOURline)	DIN EN 13501-1	A2 - s1, d0
Building material class	ASTM E 84	Class A

Durability

Exposure class	DIN EN 13964	A
----------------	--------------	---

Sustainability

Product self-declaration	Self-declaration according to ISO 14021
Environmental product declaration	EPD according to EN 15804 / ISO 14025
Circular Economy	Cradle to Cradle Certified® Gold
French VOC Regulation	Emission class A+

Certification

CE marking	The ceiling system is a harmonised construction product acc. to regulation (EU) No. 305/2011 (Construction Products Regulation) and EN 13964: Suspended ceilings - Requirements and test methods.
TAIM e.V.	The ceiling system fulfils the requirements of the "Technical Manual Metal Ceilings" (TMMC) of TAIM e.V. (Association of Industrial Metal Ceiling Manufacturers).

Surfaces

Powder coatings	<u>COLOURline - Powder coating</u> <u>COLOURline A1 - Powder coating non-combustible</u> <u>MOODline - Powder coating, deep matt</u> <u>ARTline - Decorative powder coating</u> <u>GRAPHICline - Digital print</u>
Perforation	<u>BASICline - Standard perforations</u> <u>REGULARline - Further perforations</u> <u>SPREADline - Scattered perforations</u>

Additional equipment

Acoustic inlays	<u>Acustica - Acoustic fabric inlay</u> <u>Insula - Mineral wool inlay in acoustic foil</u> <u>Calma - Glass yarn inlay in textile cover</u>
Luminaires	<u>IS 17 - Integrated luminaire for general areas</u> <u>IS 22 - Integrated luminaire for monitor work stations</u> <u>IS 450 - Integrated luminaire for office and general areas</u> <u>LK 73 - Light channel</u> <u>QZI - Integrated luminaire with cell louvres</u> <u>DPL - Integrated luminaire for post cap ceilings</u>
Fire protection	System with tested fire resistance class is available: <u>F30 Drop-Slide</u>



Application examples



© www.justdirk.net

Project solutions

This product data sheet refers to the standard version of the product mentioned above. We would be happy to work with you to find the right solution for your project. Adapted to your building project, you will receive a perfectly matched system. Project-specific constructions and adaptations can be found in the offer documents.