

Flat and slim luminaire for fire protection metal ceilings, equipped with LED technology.

The luminaire is suitable for integration into a fire protection metal ceiling panel (on-site).

The homogeneous light distribution is made by an opal acrylic diffusor.

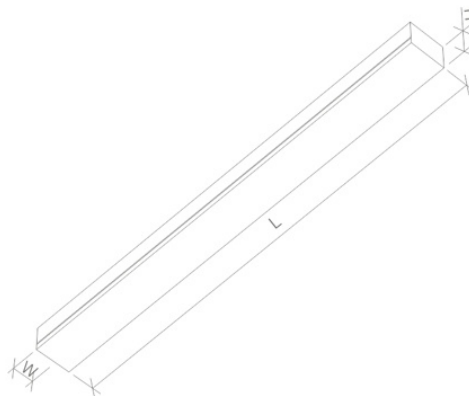
The cover can be removed without additional tools.

Type	Lumen Output	System Power	Dimension (l x w x h)
LK 38 625 1.5 OS	1.500 Lumen	14 Watt	625 x 52 x 38 mm
LK 38 925 2.0 OS	2.200 Lumen	21 Watt	925 x 52 x 38 mm
LK 38 1225 3.0 OS	3.000 Lumen	28 Watt	1.225 x 52 x 38 mm

Technical Information:

Voltage:	220-240 V / 50-60 Hz
Protection Class:	2 / SELV
Protection Type:	IP40
Ballast:	switchable, external
Cover:	opal
Colour:	RAL 9016
Lighting Colour:	4.000K
Colour Rendering:	RA>80

Dimension Drawing:



Options:

- Light colour 3.000K
- Ballast DALI dimmable
- Housing colour acc. to RAL Card